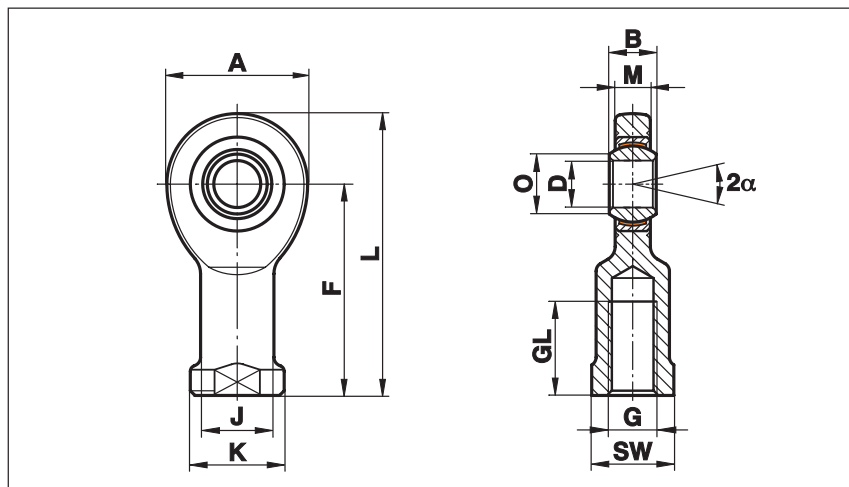


## Rod Ends Series E - Stainless, Maintenance Free

### Series EI..D-NIRO

Rod Ends with female thread, maintenance free, made from stainless steel with maintenance free Spherical Plain Bearings GE..EC-NIRO

For use at high unidirectional loads, in corrosive environments and limited fitting dimensions



Size (D)	B	M	A	F	L	K	J	O	SW	G	GL	Static load C <sub>0</sub> kN	Dynamic load C kN	Pivoting angle α	Weight g
6	6	4,4	20	30	40,0	13	10,0	8,0	11	M 6	12	6,0	4	13	21
8	8	6,0	24	36	48,0	16	12,5	10,2	14	M 8	16	9,2	7	15	38
10	9	7,0	28	43	57,0	19	15,0	13,2	17	M 10	20	13,6	10	12	60
12	10	8,0	34	50	67,0	22	17,5	14,9	19	M 12	23	18,0	14	11	96
15	12	10,0	40	61	81,0	26	21,0	18,4	22	M 14	29	26,5	30	8	180
16	14	11,0	46	67	90,0	30	24,0	20,7	27	M 16	33	34,0	39	10	220
17	14	11,0	46	67	90,0	30	24,0	20,7	27	M 16	33	34,0	39	10	220
20	16	13,0	53	77	103,5	35	27,5	24,2	32	M 20x1,5	40	45,0	54	9	350
25	20	17,0	64	94	126,0	42	33,5	29,3	36	M 24x2	48	73,0	96	7	640
30	22	19,0	73	110	146,5	50	40,0	34,2	41	M 30x2	56	97,0	118	6	930
35	25	21,0	82	125	166,0	58	47,0	39,8	50	M 36x3	60	111,0	153	6	1300
40	28	23,0	92	142	188,0	65	52,0	45,0	55	M 39x3	65	135,0	190	7	2000
45 <sup>1)</sup>	32	27,0	102	145	196,0	70	58,0	50,8	60	M 42x3	65	178,0	247	7	2500
50	35	30,0	112	160	216,0	75	62,0	56,0	65	M 45x3	68	216,0	308	6	3500
60 <sup>1)</sup>	44	38,0	135	175	242,5	88	70,0	66,8	75	M 52x3	70	336,0	481	6	5550
70 <sup>1)</sup>	49	42,0	160	200	280,0	98	80,0	77,9	85	M 56x4	80	459,0	619	6	8600
80 <sup>1)</sup>	55	47,0	180	230	320,0	110	95,0	89,4	100	M 64x4	85	570,0	792	6	12000

### Materials:

**Housing:** from size 6 to 40 stainless steel to 1.4301, Aisi 304, forged, polished  
from size 45 stainless steel to 1.4301, Aisi 304, turned  
from size 50 stainless steel to 1.4571, Aisi 316Ti, turned

**Bearing:** Maintenance free stainless steel Spherical Plain Bearing GE...EC-NIRO (see page 49)

<sup>1)</sup> availability and price on request