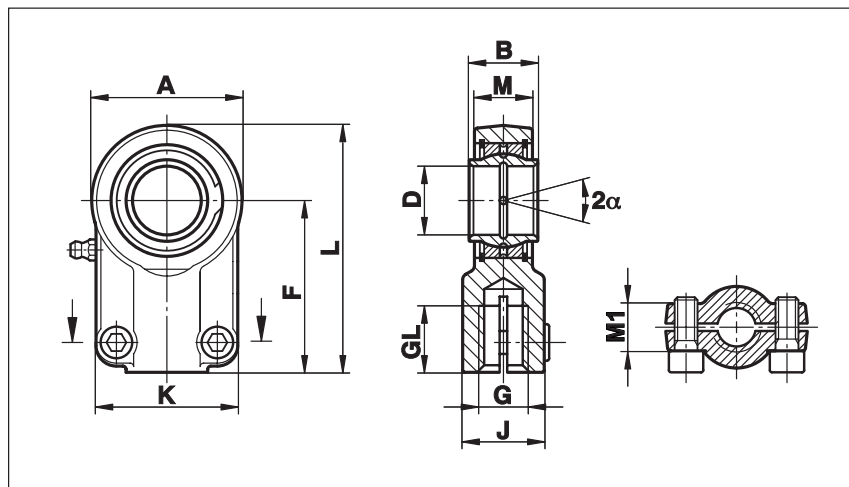


Hydraulic Rod Ends to DIN 24338/ISO 6982

Series FPR...CE

Rod Ends Cetop, recommendation RP 58H for standard Hydraulic Cylinders, fastened by hexagon socket head cap screws to DIN 912-8.8. Spherical Plain Bearings, regreasable, fixed with snap rings

Mounting dimensions to DIN 24333-24336 and ISO 6020/1, ISO 6022



Size (D)	B	M	M1	A	F	L	K	J	G	GL	Torque Nm	Static load C ₀ kN	Dynamic load C kN	Pivoting angle α	Weight g
12	12	11,0	15,0	32,0	38	54,0	32	16	M 12x1,25	17	6	24,5	10,8	4	100
16	16	13,0	15,0	40,0	44	64,0	40	21	M 14x1,5	19	10	36,5	17,6	4	210
20	20	17,0	19,0	47,0	52	75,0	47	25	M 16x1,5	23	25	48,0	30,0	4	350
25	25	22,0	19,0	58,0	65	96,0	54	30	M 20x1,5	29	25	78,0	48,0	4	620
32	32	28,0	22,0	71,0	80	118,0	66	38	M 27x2	37	49	114,0	67,0	4	1170
40	40	33,0	26,0	90,0	97	146,0	80	47	M 33x2	46	49	204,0	100,0	4	2150
50	50	41,0	32,0	109,0	120	179,0	96	58	M 42x2	57	86	310,0	156,0	4	4400
63	63	53,0	38,0	132,0	140	211,0	114	70	M 48x2	64	210	430,0	255,0	4	7600
70	70	57,0	42,0	155,0	160	245,0	135	80	M 56x2	76	210	540,0	315,0	4	10100
80	80	67,0	48,0	170,0	180	270,0	148	90	M 64x3	86	410	695,0	400,0	4	14500
90	90	72,0	52,0	185,0	195	296,0	160	100	M 72x3	91	410	750,0	490,0	4	17500
100	100	85,0	62,0	211,0	210	322,0	178	110	M 80x3	96	710	1060,0	610,0	4	28000
110	110	88,0	62,0	235,0	235	364,0	190	125	M 90x3	106	710	1200,0	655,0	4	32000
125	125	103,0	72,0	265,0	260	405,0	200	135	M 100x3	113	710	1430,0	950,0	4	46400
160	160	130,0	82,0	326,0	310	488,0	250	165	M 125x4	126	710	2200,0	1370,0	4	81000
200	200	162,0	102,0	418,0	390	620,0	320	215	M 160x4	161	1500	3650,0	2120,0	4	174000

Materials:

Housing: up to size 63 forged from heat-treated steel to C45, Aisi 1045
from size 70 made from nodular cast iron GS 400

Bearing: Steel on steel bearing GE...LO, requiring lubrication

Greasing: size 12 is not regreasable
from size 16 fitted with hydraulic grease nipples to DIN 71412

On request: with left hand thread (FPL...CE)