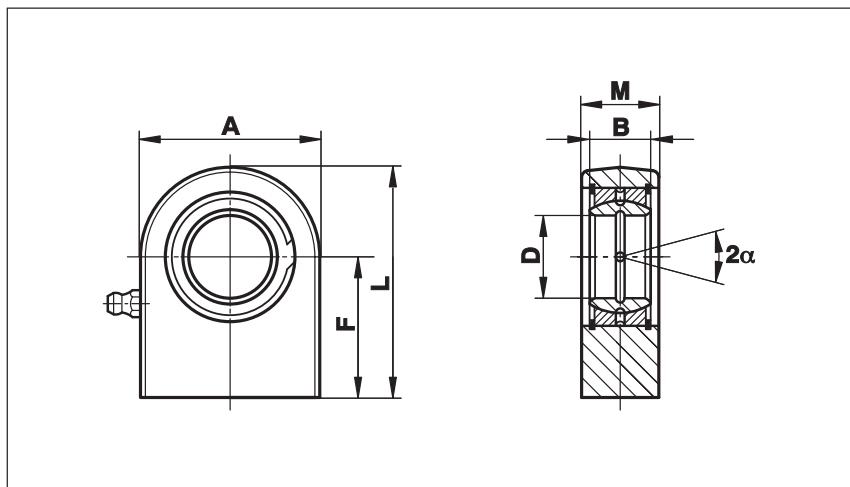


Hydraulic Rod Ends - Weld-On Base

Series FS...N

Rod Ends with rectangular surface for Weld-on.
Spherical Plain Bearings, regreasable, fixed with snap rings

For Weld-On to cylinder bottoms



Size (D)	B	M	A	F	L	Static load C ₀ kN	Dynamic load C kN	Pivoting angle α	Weight g
15	12	16,0	45	31	53,5	53,0	17,0	8	220
16	14	17,5	48	35	59,0	59,0	21,2	10	290
17	14	17,5	48	35	59,0	65,0	21,2	10	290
20	16	19,0	50	38	63,0	67,0	30,0	9	325
25	20	23,0	55	45	72,5	69,5	48,0	7	500
30	22	28,0	65	51	83,5	118,0	62,0	6	825
35	25	30,0	83	61	102,5	196,0	80,0	6	1475
40	28	35,0	100	69	119,0	305,0	100,0	7	2480
45	32	40,0	110	77	132,0	386,0	127,0	7	3450
50	35	40,0	123	88	149,5	441,0	156,0	6	4450
60	44	50,0	140	100	170,0	570,0	245,0	6	7130
70	49	55,0	164	115	197,0	724,0	315,0	6	10700
80	55	60,0	180	141	231,0	804,0	400,0	6	15100
90	60	65,0	226	150	263,0	1340,0	490,0	5	23400
100	70	70,0	250	170	295,0	1516,0	610,0	7	33100
110	70	80,0	295	185	332,5	2340,0	655,0	6	48500
120	85	90,0	360	210	390,0	3210,0	950,0	6	79500

Materials:

Housing: St 52-3, forged

Bearing: Steel on steel bearing GE...E, requiring lubrication

Greasing: fitted with hydraulic grease nipple to DIN 71412

On request: Housing: Stainless steel to 1.4401, Aisi 316
with maintenance free stainless steel Spherical Plain Bearing GE...EC-NIRO (see page 49)