

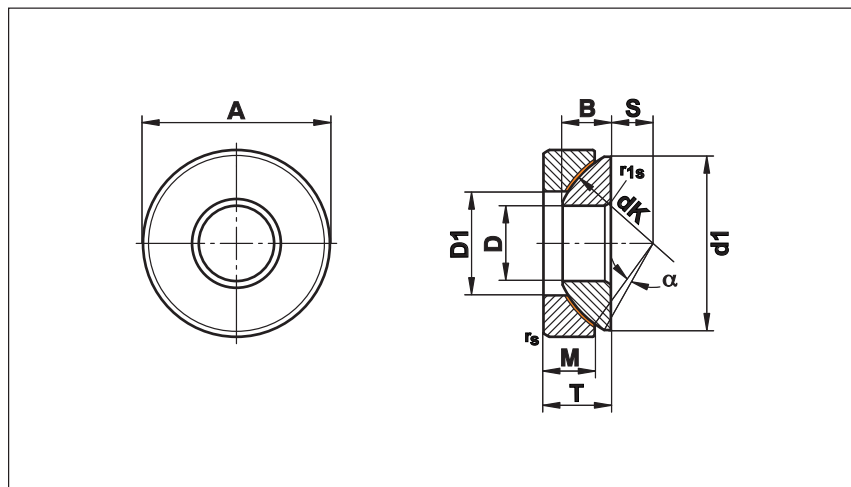
Spherical Plain Thrust Bearings - Maintenance Free

Series GE...AW

Spherical Plain Thrust Bearings.

Mating surface hard chromium/PTFE, maintenance free

For use with axial loads



Size (D)	B	M	A	T	S	r _s , r _{1s} min	d ₁ max	d ₁ min	d _k	Axial load kN		Pivoting angle α ≈	Weight g	
										Static C ₀	Dynamic C			
10 ⁰ _{-0,008}	7,5	7,0	30 ⁰ _{-0,009}	9,5	^{+0,25} _{-0,40}	7,0	0,6	27,5	15,5	32	120	45	5	36
12 ⁰ _{-0,008}	9,5	9,3	35 ⁰ _{-0,011}	13,0	^{+0,25} _{-0,40}	8,0	0,6	32,0	18,0	38	165	65	5	72
15 ⁰ _{-0,008}	11,0	10,8	42 ⁰ _{-0,011}	15,0	^{+0,25} _{-0,40}	10,0	0,6	39,0	22,5	46	235	95	6	108
17 ⁰ _{-0,008}	11,8	11,2	47 ⁰ _{-0,011}	16,0	^{+0,25} _{-0,40}	11,0	0,6	43,5	27,0	52	275	110	4	137
20 ⁰ _{-0,010}	14,5	13,8	55 ⁰ _{-0,013}	20,0	^{+0,25} _{-0,40}	12,5	1,0	50,0	31,0	60	380	150	5	246
25 ⁰ _{-0,010}	16,5	16,7	62 ⁰ _{-0,013}	22,5	^{+0,25} _{-0,40}	14,0	1,0	58,5	34,5	68	600	245	5	415
30 ⁰ _{-0,010}	19,0	19,0	75 ⁰ _{-0,013}	26,0	^{+0,25} _{-0,40}	17,5	1,0	70,0	42,0	82	820	335	5	614
35 ⁰ _{-0,012}	22,0	20,7	90 ⁰ _{-0,015}	28,0	^{+0,25} _{-0,40}	22,0	1,0	84,0	50,5	98	1200	490	5	973
40 ⁰ _{-0,012}	27,0	21,5	105 ⁰ _{-0,015}	32,0	^{+0,25} _{-0,40}	24,5	1,0	97,0	59,0	114	1640	675	6	1590
45 ⁰ _{-0,012}	31,0	25,5	120 ⁰ _{-0,015}	36,5	^{+0,25} _{-0,40}	27,5	1,0	110,0	67,0	128	2240	915	6	2240
50 ⁰ _{-0,012}	33,0	30,5	130 ⁰ _{-0,018}	42,5	^{+0,25} _{-0,40}	30,0	1,0	120,0	70,0	139	2550	1040	6	3140
60 ⁰ _{-0,015}	37,0	34,0	150 ⁰ _{-0,018}	45,0	^{+0,25} _{-0,50}	35,0	1,0	140,0	84,0	160	3470	1360	6	4630
70 ⁰ _{-0,015}	42,0	36,5	160 ⁰ _{-0,025}	50,0	^{+0,25} _{-0,50}	35,0	1,0	153,0	94,5	176	4180	1640	3	5370
80 ⁰ _{-0,015}	43,5	38,0	180 ⁰ _{-0,025}	50,0	^{+0,25} _{-0,50}	42,5	1,0	172,0	107,5	197	5180	2030	4	6910
100 ⁰ _{-0,020}	51,0	46,0	210 ⁰ _{-0,030}	59,0	^{+0,25} _{-0,60}	45,0	1,1	198,0	127,0	222	5940	2230	4	11000
120 ¹⁾ _{-0,020}	53,5	50,0	230 ⁰ _{-0,030}	64,0	^{+0,25} _{-0,60}	52,5	1,1	220,0	145,0	250	6960	2610	3	14000
140 ¹⁾ _{-0,025}	61,0	54,0	260 ⁰ _{-0,035}	72,0	^{+0,35} _{-0,70}	52,5	1,5	243,0	177,0	274	8300	3120	3	19100
160 ¹⁾ _{-0,025}	66,0	58,0	290 ⁰ _{-0,035}	77,0	^{+0,35} _{-0,70}	65,0	1,5	271,0	200,0	313	9560	3380	2	25000
180 ¹⁾ _{-0,025}	74,0	62,0	320 ⁰ _{-0,040}	86,0	^{+0,35} _{-0,70}	67,5	1,5	299,0	225,0	340	11050	3910	4	32800
200 ¹⁾ _{-0,030}	80,0	66,0	340 ⁰ _{-0,040}	87,0	^{+0,35} _{-0,80}	70,0	1,5	320,0	247,0	365	13990	4950	1	35400
220 ¹⁾ _{-0,030}	82,0	67,0	370 ⁰ _{-0,040}	97,0	^{+0,35} _{-0,80}	75,0	1,5	350,0	265,5	388	13110	4640	7,0	44700
240 ¹⁾ _{-0,030}	87,0	73,0	400 ⁰ _{-0,040}	103,0	^{+0,35} _{-0,80}	77,5	1,5	382,0	294,0	420	15560	5500	6,0	56900
260 ¹⁾ _{-0,035}	95,0	80,0	430 ⁰ _{-0,045}	115,0	^{+0,35} _{-0,80}	82,5	1,5	409,0	317,0	449	17510	6190	7,0	71300
280 ¹⁾ _{-0,035}	100,0	85,0	460 ⁰ _{-0,045}	110,0	^{+0,35} _{-0,80}	80,0	3,0	445,0	337,0	480	23400	8280	4,0	84700
300 ¹⁾ _{-0,035}	100,0	90,0	480 ⁰ _{-0,045}	110,0	^{+0,35} _{-0,80}	80,0	3,0	460,0	356,0	490	25480	9010	3,5	88900
320 ¹⁾ _{-0,040}	105,0	91,0	520 ⁰ _{-0,050}	116,0	^{+0,35} _{-0,80}	95,0	4,0	500,0	380,0	540	33260	11360	4,0	111000
340 ¹⁾ _{-0,040}	105,0	91,0	540 ⁰ _{-0,050}	116,0	^{+0,35} _{-0,80}	95,0	4,0	510,0	380,0	550	33880	11570	4,0	117000
360 ¹⁾ _{-0,040}	115,0	95,0	560 ⁰ _{-0,050}	125,0	^{+0,35} _{-0,80}	95,0	4,0	535,0	400,0	575	37630	12850	4,0	132000

Materials:

Housing disk: Bearing steel to 100Cr6, Aisi 52100, hardened with PTFE liner bonded to the inner surface

Inner disk: Bearing steel to 100Cr6, Aisi 52100, hardened, ground, polished, hard chrome plated

On request: stainless steel version

¹⁾ Price and availability on request

FLURO-Gelenklager GmbH