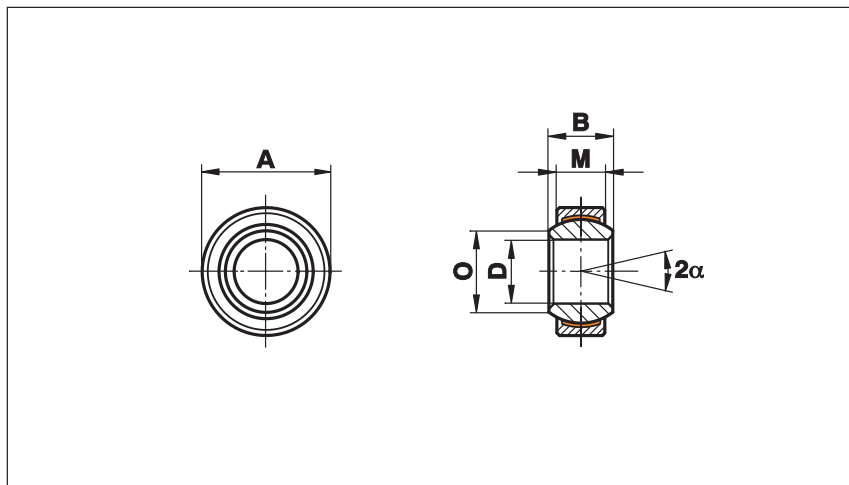


Spherical Plain Bearings Series E - Stainless, Maintenance Free

Series GE...EC-NIRO

Spherical Plain Bearings
stainless steel running
on PTFE, maintenance
free

For use at high uni-
directional loads in
corrosive environments



| Size (D) | B | M | A | O | dK | Static load C ₀ kN | Dynamic load C kN | Pivoting angle α | Weight g |
|------------------------------------|----|----|------------------------------------|-------|-------|-------------------------------|-------------------|------------------|----------|
| 6 ⁰ _{-0,008} | 6 | 4 | 14 ⁰ _{-0,008} | 8,0 | 10,0 | 9,0 | 4 | 13 | 4 |
| 8 ⁰ _{-0,008} | 8 | 5 | 16 ⁰ _{-0,008} | 10,2 | 13,0 | 15,6 | 7 | 15 | 7 |
| 10 ⁰ _{-0,008} | 9 | 6 | 19 ⁰ _{-0,009} | 13,2 | 16,0 | 23,4 | 10 | 12 | 11 |
| 12 ⁰ _{-0,008} | 10 | 7 | 22 ⁰ _{-0,009} | 14,9 | 18,0 | 32,0 | 14 | 11 | 16 |
| 15 ⁰ _{-0,008} | 12 | 9 | 26 ⁰ _{-0,009} | 18,4 | 22,0 | 50,0 | 30 | 8 | 26 |
| 16 ⁰ _{-0,008} | 14 | 10 | 30 ⁰ _{-0,009} | 20,7 | 25,0 | 65,0 | 39 | 10 | 49 |
| 17 ⁰ _{-0,008} | 14 | 10 | 30 ⁰ _{-0,009} | 20,7 | 25,0 | 65,0 | 39 | 10 | 38 |
| 20 ⁰ _{-0,010} | 16 | 12 | 35 ⁰ _{-0,011} | 24,2 | 29,0 | 90,5 | 54 | 9 | 61 |
| 25 ⁰ _{-0,010} | 20 | 16 | 42 ⁰ _{-0,011} | 29,3 | 35,5 | 159,0 | 96 | 7 | 110 |
| 30 ⁰ _{-0,010} | 22 | 18 | 47 ⁰ _{-0,011} | 34,2 | 40,7 | 197,0 | 118 | 6 | 140 |
| 35 ⁰ _{-0,012} | 25 | 20 | 55 ⁰ _{-0,013} | 39,8 | 47,0 | 298,0 | 153 | 6 | 220 |
| 40 ⁰ _{-0,012} | 28 | 22 | 62 ⁰ _{-0,013} | 45,0 | 53,0 | 370,6 | 190 | 7 | 300 |
| 45 ⁰ _{-0,012} | 32 | 25 | 68 ⁰ _{-0,013} | 50,8 | 60,0 | 481,0 | 247 | 7 | 400 |
| 50 ⁰ _{-0,012} | 35 | 28 | 75 ⁰ _{-0,013} | 56,0 | 66,0 | 598,0 | 308 | 6 | 540 |
| 60 ⁰ _{-0,015} | 44 | 36 | 90 ⁰ _{-0,015} | 66,8 | 80,0 | 935,0 | 481 | 6 | 1000 |
| 70 ⁰ _{-0,015} | 49 | 40 | 105 ⁰ _{-0,015} | 77,9 | 92,0 | 1204,0 | 619 | 6 | 1500 |
| 80 ⁰ _{-0,015} | 55 | 45 | 120 ⁰ _{-0,015} | 89,4 | 105,0 | 1540,0 | 792 | 6 | 2200 |
| 90 ⁰ _{-0,020} | 60 | 50 | 130 ⁰ _{-0,018} | 98,1 | 115,0 | 1892,0 | 1080 | 5 | 2700 |
| 100 ⁰ _{-0,020} | 70 | 55 | 150 ⁰ _{-0,018} | 109,5 | 130,0 | 2366,0 | 1350 | 7 | 4400 |
| 110 ⁰ _{-0,020} | 70 | 55 | 160 ⁰ _{-0,025} | 121,2 | 140,0 | 2548,0 | 1460 | 6 | 4700 |
| 120 ⁰ _{-0,020} | 85 | 70 | 180 ⁰ _{-0,025} | 135,5 | 160,0 | 3752,0 | 2140 | 6 | 8000 |

Materials:

Insert: Stainless steel to 1.4571, Aisi 316Ti, with PTFE liner bonded to the inner surface from size 90 with high performance PTFE compound

Ball: up to size 40, stainless steel to 1.4125, Aisi 440C, hardened, ground, polished from size 45, stainless steel to 1.4112, Aisi 440B, hardened, ground, polished

On request: size 140 and 160 from size 40 with -2RS seals