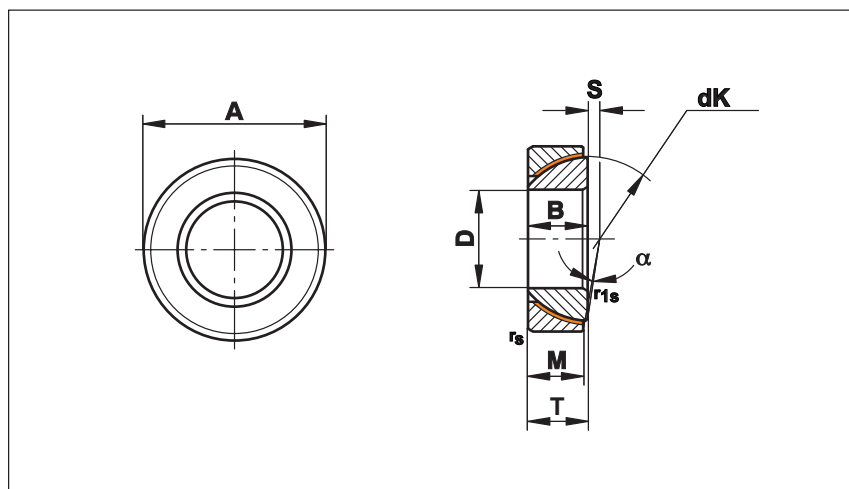


Angular Contact Spherical Plain Bearings - Maintenance Free

Series **GE...SW**

Angular Contact Spherical Plain Bearings.
Mating surface hard chromium/PTFE, maintenance free

For use at uni-directional, dynamic radial and additional axial loads



Size (D)	B	M	A	T	S	r _s , r _{1s} min	d _k	Static load C ₀ kN	Dynamic load C kN	Pivoting angle α ≈	Weight g
25 ⁰ _{-0,012}	15	14,0	47 ⁰ _{-0,014}	15 ^{+0,25} _{-0,40}	0,6	1,0	42,0	225	89	2,5	148
28 ⁰ _{-0,012}	15	15,0	52 ⁰ _{-0,016}	16 ^{+0,25} _{-0,40}	1,0	1,0	47,0	270	100	2,0	186
30 ⁰ _{-0,012}	17	15,0	55 ⁰ _{-0,016}	17 ^{+0,25} _{-0,40}	1,3	1,0	49,5	285	110	4,5	208
32 ⁰ _{-0,012}	17	16,0	58 ⁰ _{-0,016}	17 ^{+0,25} _{-0,40}	2,0	1,0	52,0	320	125	2,0	241
35 ⁰ _{-0,012}	18	16,0	62 ⁰ _{-0,016}	18 ^{+0,25} _{-0,40}	2,1	1,0	55,5	340	135	4,0	268
40 ⁰ _{-0,012}	19	17,0	68 ⁰ _{-0,016}	19 ^{+0,25} _{-0,40}	2,8	1,0	62,0	400	160	3,5	327
45 ⁰ _{-0,012}	20	18,0	75 ⁰ _{-0,016}	20 ^{+0,25} _{-0,40}	3,5	1,0	68,5	470	190	3,0	416
50 ⁰ _{-0,012}	20	19,0	80 ⁰ _{-0,016}	20 ^{+0,25} _{-0,40}	4,3	1,0	74,0	540	215	1,5	455
55 ⁰ _{-0,015}	23	20,0	90 ⁰ _{-0,018}	23 ^{+0,25} _{-0,50}	5,0	1,1	82,0	630	250	4,0	645
60 ⁰ _{-0,015}	23	21,0	95 ⁰ _{-0,018}	23 ^{+0,25} _{-0,50}	5,7	1,1	88,5	710	285	2,5	714
65 ⁰ _{-0,015}	23	22,0	100 ⁰ _{-0,018}	23 ^{+0,25} _{-0,50}	6,5	1,1	93,5	790	315	1,0	759
70 ⁰ _{-0,015}	25	23,0	110 ⁰ _{-0,018}	25 ^{+0,25} _{-0,50}	7,2	1,1	102,0	900	360	2,0	1040
75 ⁰ _{-0,015}	25	24,0	115 ⁰ _{-0,018}	25 ^{+0,25} _{-0,50}	7,9	1,1	107,0	980	395	1,0	1120
80 ⁰ _{-0,015}	29	25,5	125 ⁰ _{-0,020}	29 ^{+0,25} _{-0,50}	8,6	1,1	115,0	1120	450	3,5	1540
85 ⁰ _{-0,020}	29	26,5	130 ⁰ _{-0,020}	29 ^{+0,25} _{-0,60}	9,4	1,1	122,0	1240	495	2,0	1610
90 ⁰ _{-0,020}	32	28,0	140 ⁰ _{-0,020}	32 ^{+0,25} _{-0,60}	10,1	1,5	128,5	1380	550	3,5	2090
95 ⁰ _{-0,020}	32	29,5	145 ⁰ _{-0,020}	32 ^{+0,25} _{-0,60}	10,8	1,5	135,0	1530	610	2,0	2220
100 ⁰ _{-0,020}	32	31,0	150 ⁰ _{-0,020}	32 ^{+0,25} _{-0,60}	11,6	1,5	141,0	1680	670	0,5	2340
105 ¹⁾ _{-0,020}	35	32,5	160 ⁰ _{-0,020}	35 ^{+0,25} _{-0,60}	12,3	2,0	148,0	1850	740	2,0	2930
110 ¹⁾ _{-0,020}	38	34,0	170 ⁰ _{-0,020}	38 ^{+0,25} _{-0,60}	13,0	2,0	155,0	2020	810	3,0	3680
120 ¹⁾ _{-0,020}	38	37,0	180 ⁰ _{-0,025}	38 ^{+0,25} _{-0,70}	14,5	2,0	168,0	2390	955	0,5	3970
130 ¹⁾ _{-0,020}	45	43,0	200 ⁰ _{-0,025}	45 ^{+0,35} _{-0,70}	18,0	2,5	188,0	3110	1240	1,0	5920
140 ¹⁾ _{-0,020}	45	43,0	210 ⁰ _{-0,025}	45 ^{+0,35} _{-0,70}	19,0	2,5	198,0	3270	1310	1,0	6330
150 ¹⁾ _{-0,025}	48	46,0	225 ⁰ _{-0,030}	48 ^{+0,35} _{-0,70}	20,0	3,0	211,0	3730	1490	1,0	8010
160 ¹⁾ _{-0,025}	51	49,0	240 ⁰ _{-0,030}	51 ^{+0,35} _{-0,70}	20,0	3,0	225,0	4240	1690	1,0	9790
170 ¹⁾ _{-0,025}	57	55,0	260 ⁰ _{-0,035}	57 ^{+0,35} _{-0,70}	21,0	3,0	246,0	5200	2080	1,0	12300
180 ¹⁾ _{-0,025}	64	61,0	280 ⁰ _{-0,035}	64 ^{+0,35} _{-0,70}	21,0	3,0	260,0	6100	2440	1,0	17400
190 ¹⁾ _{-0,030}	64	62,0	290 ⁰ _{-0,035}	64 ^{+0,35} _{-0,80}	26,0	3,0	275,0	6560	2620	0,5	18200
200 ¹⁾ _{-0,030}	70	66,0	310 ⁰ _{-0,035}	70 ^{+0,35} _{-0,80}	26,0	3,0	290,0	7360	2940	1,5	23800

Materials:

Housing disk: Bearing steel to 100Cr6, Aisi 52100, hardened with PTFE liner bonded to the inner surface

Inner disk: Bearing steel to 100Cr6, Aisi 52100, hardened, ground, polished, hard chrome plated

On request: stainless steel version

¹⁾ Price and availability on request

FLURO-Gelenklager GmbH