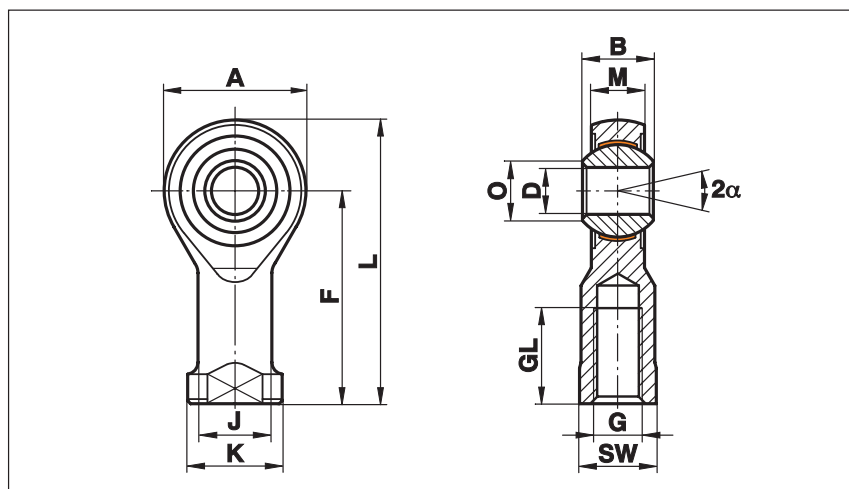


## Rod Ends Series K - Maintenance Free

### Series GLOW

Rod Ends with female thread made from free-cutting or heat-treated steel, zinc plated, maintenance free

For use in applications involving minimum axial loads and limited oscillating movements



Size (D)	B	M	A	F	L	K	J	O	SW	G	GL	Static load C <sub>0</sub> kN	Dynamic load C kN	Limiting speed rev/min	Weight g
4	7	5,25	14	24	31	9,5	7,8	6,5	8	M 4	12	5,2	0,8		11
5	8	6,00	18	27	36	11,0	9,0	7,7	9	M 5	10	9,8	1,1		18
6	9	6,75	20	30	40	13,0	10,0	8,9	11	M 6	12	11,8	1,4	not to be used for complete revolutions	27
8	12	9,00	24	36	48	16,0	12,5	10,4	13	M 8	16	17,3	2,2		46
10	14	10,50	28	43	57	19,0	15,0	12,9	17	M 10	20	22,3	3,1		76
12	16	12,00	32	50	66	22,0	17,5	15,4	19	M 12	22	28,5	4,0		115
14	19	13,50	36	57	75	25,0	20,0	16,8	22	M 14	25	26,0	5,0		170
16	21	15,00	42	64	85	27,0	22,0	19,3	22	M 16	28	39,0	7,0		230
20	25	18,00	50	77	102	34,0	27,5	24,3	32	M 20x1,5	33	53,0	9,5		415

### Materials:

**Housing:** up to size 12 turned from free-cutting steel to 9SMnPb28K, 12L13  
from size 14 forged from heat-treated steel to C22, M1023  
PTFE glass fibre fabric on the running surface

**Ball:** Bearing steel to 100Cr6, Aisi 52100, hardened, ground, polished

Cetop connection see page 40.