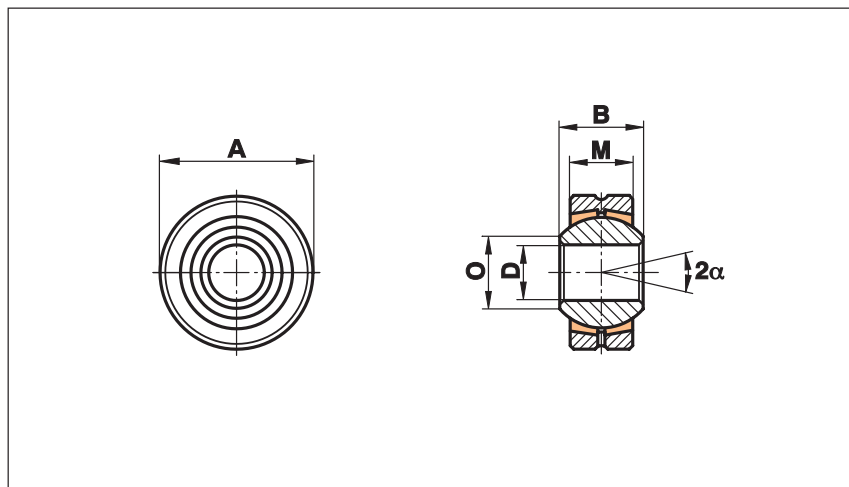


Spherical Plain Bearings Series K - Standard

Series GL

Spherical Plain Bearings with outer ring, from free-cutting steel, zinc plated and regreasable

Especially suited for axial loads



Size (D)	B	M	A	O	Static load C ₀ kN	Dynamic load C kN	Limiting speed rev/min	Weight g
5	8	6,00	16	7,7	10,0	2,5	900	8
6	9	6,75	18	8,9	12,8	3,2	760	12
8	12	9,00	22	10,4	21,6	5,4	620	23
10	14	10,50	26	12,9	30,0	7,5	500	38
12	16	12,00	30	15,4	40,0	10,0	450	58
14	19	13,50	34	16,8	51,5	13,0	360	83
16	21	15,00	38	19,3	64,5	16,0	350	115
18	23	16,50	42	21,8	78,5	19,5	320	150
20	25	18,00	46	24,3	94,5	23,5	280	200
22	28	20,00	50	25,8	114,0	29,0	250	270
25	31	22,00	56	29,6	142,0	35,0	230	375

Materials:

Outer ring: Free-cutting steel to 9SMnPb28K, 12L13, turned

Insert: Special brass to CuZn40Al1

Ball: Bearing steel to 100Cr6, Aisi 52100, hardened, ground, polished