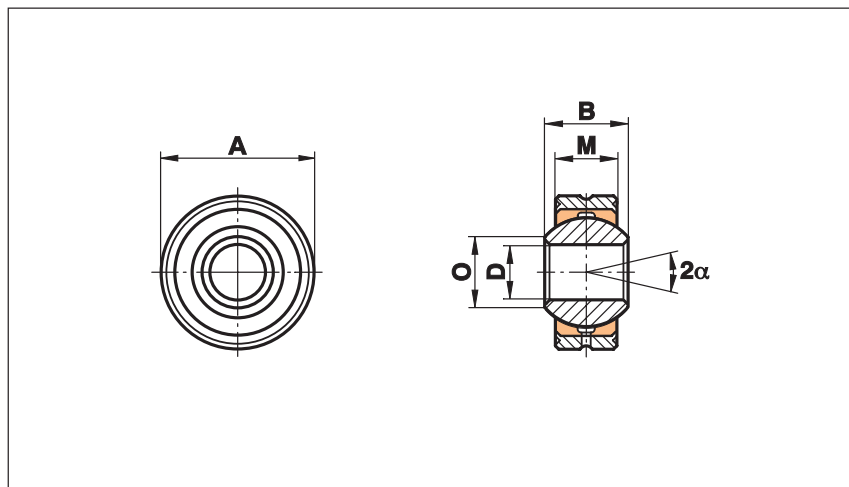


Spherical Plain Bearings Series K - Heavy Duty

Series GLXS

Spherical Plain Bearings with outer ring, from free-cutting steel, zinc plated and regreasable

For use at high revs



Size (D)	B	M	A	O	Static load C ₀ kN	Dynamic load C kN	Limiting speed rev/min	Weight g
3 ^{1) 2)}	6	4,50	12	5,1	10,8	1,8		4
4 ^{1) 2)}	7	5,25	14	6,5	14,5	2,5		6
5	8	6,00	16	7,7	19,8	3,3	1200	8
6	9	6,75	18	8,9	25,8	4,3	1500	12
8	12	9,00	22	10,4	42,6	7,1	1200	23
10	14	10,50	26	12,9	60,0	10,0	1000	38
12	16	12,00	30	15,4	80,0	13,5	860	58
14	19	13,50	34	16,8	102,5	17,0	750	83
16	21	15,00	38	19,3	128,5	21,5	660	115
18	23	16,50	42	21,8	157,0	26,0	600	150
20	25	18,00	46	24,3	188,5	31,5	540	200
22	28	20,00	50	25,8	229,0	38,0	500	270
25	31	22,00	56	29,6	293,0	47,0	440	375
30	37	25,00	66	34,8	381,0	64,0	370	540
35	43	28,00	78	37,7	480,0	80,0	330	850
40	49	35,00	87	44,2	693,0	116,0	290	1400

Materials:

Outer ring: Free-cutting steel to 9SMnPb28K, 12L13, turned

Insert: Special high strength bronze to CuSn8

Ball: Bearing steel to 100Cr6, Aisi 52100, hardened, ground, polished

This series is also available with threaded bolt (see page 39).

¹⁾ without lubrication hole

²⁾ Outer Ring as one piece to CuSn8