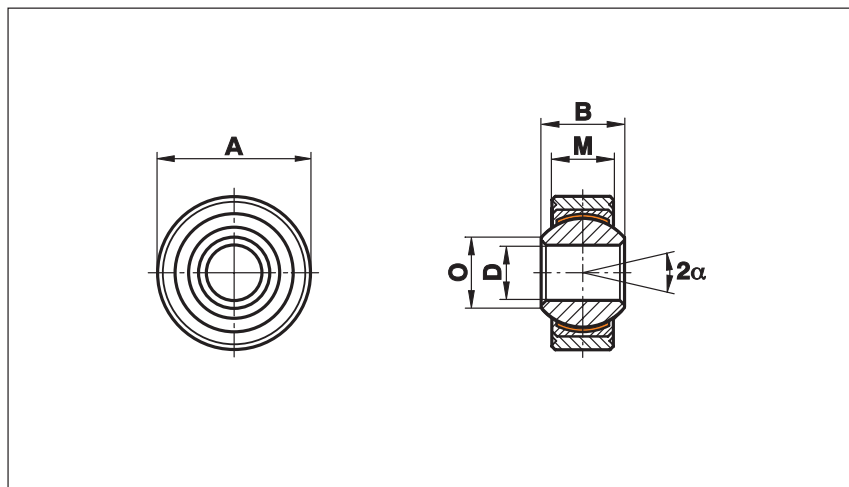


Spherical Plain Bearings Series K - Maintenance Free

Series GLXSW

Spherical Plain Bearings with outer ring made from free-cutting steel, zinc plated and maintenance free

For use at higher dynamic pressure and tension loads.



Size (D)	B	M	A	O	Static load C ₀ kN	Dynamic load C kN	Limiting speed rev/min	Weight g
4 ¹⁾	7	5,25	14	6,5	9,5	5,7	700	5
5	8	6,00	16	7,7	12,5	7,5	600	8
6	9	6,75	18	8,9	15,5	9,3	530	12
8	12	9,00	22	10,4	27,8	16,7	420	23
10	14	10,50	26	12,9	39,0	23,4	350	38
12	16	12,00	30	15,4	53,5	32,0	300	58
14	19	13,50	34	16,8	70,0	42,0	260	83
16	21	15,00	38	19,3	88,0	52,5	230	115
18	23	16,50	42	21,8	106,5	64,0	210	150
20	25	18,00	46	24,3	130,0	78,0	190	200
22	28	20,00	50	25,8	162,0	97,0	170	270
25	31	22,00	56	29,6	204,0	122,0	150	375
30	37	25,00	66	34,8	281,0	168,0	130	540
35	43	28,00	78	37,7	343,0	206,0	110	850
40	49	35,00	87	44,2	495,0	286,0	100	1400

only for short-term revolutions recommended

Materials:

Outer ring: Free-cutting steel to 9SMnPb28K, 12L13, turned

Insert: Free-cutting steel to 9SMnPb28K, 12L13, zinc plated with PTFE liner bonded to the inner surface

Ball: Bearing steel to 100Cr6, Aisi 52100, hardened, ground, polished

This series is also available with threaded bolt (see page 39).

¹⁾ Outer Ring as one piece to 45S20